

KONICA MINOLTA

bizhub 751/601

The Office Solution
for a New Style of Business



Model shown with options.

The essentials of imaging

Main Features

- > 75/60ppm Printing
- > 75opm Scanning
- > 7,600 Max. Paper Capacity
- > Polymerised Simitri Toner
- > Large Full-colour Control Panel
- > Flexible Communication
- > IPv6 Compatibility
- > Windows Vista Compatibility (XPS, DPWS)
- > Gigabit Ethernet
- > Enhanced Security
- > Universal Design Improvements



Take Your Business to the Cutting Edge



In today's business world, it's all about communication. Getting your point across quickly, securely and reliably has become central to the way business gets done. That's why you need the bizhub 751 and bizhub 601. Integrating speedy output time with robust security features and flexible networking in a powerful centre office machine, the new bizhub offers a unique solution to the most pressing demands for enterprises in any line of business. Add in the new styling of bizhub's 360-degree design philosophy and you've got a business partner that looks as smart as it works.

bizhub 751/601

Brilliant Answers in Black & White



The solutions of

Document Solutions For The Way You Work

Konica Minolta's Solutions of i include our extensive lineup of MFP's, printers and software applications designed for you, the individual.

<http://www.solutions-of-i.com>

01 Streamlined Data Handling 

02 More Robust Security 

03 Document Output 

04 New Design 

05 Ecology & Environment 

The Centre of Your Office Communication

Keep communication flowing quickly, seamlessly, efficiently. The bizhub 751 and bizhub 601 offer a wide range of options to receive, store and distribute information anywhere in the world, right from the centre of your office.



► Communicate Smarter

Scanning data is just the beginning. Now you can send it anywhere in the world - even to multiple destinations - at the push of a button. Directly move data to networked PCs, public or private folders on the HDD and to e-mail addresses one at a time or to multiple destinations, via multiple formats, all from a single operation.

- > Multi-method Send
- > Scan to e-mail
- > Scan to FTP
- > Scan to SMB
- > Scan to WebDAV
- > Scan to Box
- > Scan to USB memory
- > TWAIN scan
- > IPv6, Gigabit Ethernet Compatible
- > XPS, DPWS Compatible



► Far-reaching Fax Operations

Starting with traditional high-speed fax, the bizhub 751 and bizhub 601 offer a wide range of fax functions that utilise your office infrastructure to lower costs. Internet and IP-fax send data via the Internet or local servers to completely eliminate transmission costs, while PC fax lets you send faxes from your PC. TSI Routing, meanwhile, automatically forwards fax transmissions from registered senders to a designated folder on the network or an e-mail address.

- > G3 Fax
- > IP Fax
- > TSI Routing
- > Internet Fax
- > PC Fax

► HDD Box Functions

A secure storage environment right in the main body's HDD, bizhub's Box functions allow you to archive data and share or print as needed, while PageScope Box Operator enables management of data in the User Box from your desk. Additionally, bind printing combines files of different formats into a single file.

- > Bulletin Board Box
- > Polling Transmission Box
- > Memory Reception Box
- > Confidential Box
- > PageScope BOX Operator
- > Sharing Box
- > Personal Box
- > Secure Box
- > Bind Printing

► Advanced Data Transfer

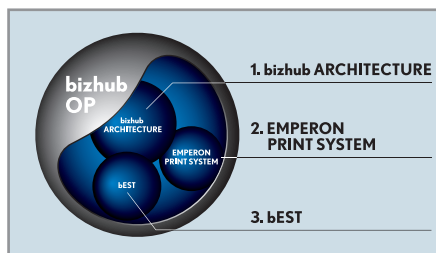
Plug a storage device into the high-speed USB port located at the front of bizhub to directly print PDF, TIFF and XPS files or scan them directly to a storage device* without a PC or server. Furthermore, compatibility with gigabit Ethernet ensures that even large files are transmitted quickly and efficiently.

- > High-speed USB
 - > Gigabit Ethernet compatibility
 - > PageScope Direct Print*
- *Windows only



► Required Options by Function

Functions	Required Options
Printer Functions	Image Controller IC-208
Box Functions	Hard Disk HD-510
Internet Fax Functions	Hard Disk HD-510 + Image Controller IC-208
IP Address Fax Functions	Hard Disk HD-510 + Fax Kit FK-502 + Image Controller IC-208
Pull Scan Functions	Hard Disk HD-510
Local Print from USB	Local Interface Kit EK-703 + Image Controller IC-208
XPS Scan / XPS Print	Hard Disk HD-510 + Image Controller IC-208



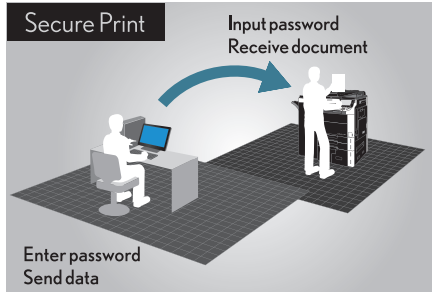
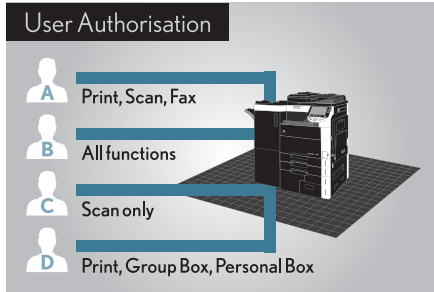
► The Power of bizhub OP New Open Platform

Konica Minolta's exclusive bizhub OP control system empowers your office to achieve its potential through increased productivity, security and connectivity. bizhub OP is three interconnected systems, each of which provides a seamless consolidation of functions that enables bizhub to work with greater flexibility. The Centralised bizhub Architecture integrates control of all functions, enabling more efficient operation, greater reliability, increased security, and more effective administrative oversight and accounting.

The Emperon Print System integrates output operation within a single intuitive interface, allowing users to better take advantage of all bizhub features. Finally, the Open Application Programming Interface makes bizhub far more flexible by greatly simplifying customisation and integration with third-party applications. Supporting bizhub's already powerful cross-functionality, bizhub OP lays the groundwork for a seamless network environment that allows users to work at peak effectiveness.

Centralise the Protection of Data Assets

Keeping data safe without restricting access to authorised users is essential to ensuring your office is safely running at peak efficiency. Take the guesswork out of sensible security with bizhub – a strong line of defence against intrusions that won't interfere with your workstyle.



▷ A Wealth of Advanced Security Features

User authentication, encryption and password protection ensure sensitive data remaining secure without restricting authorised users. The result is a safe, secure work environment that allows users the freedom to get the job done.

Authentication Features

Protect your network from unauthorised access.

- > User authentication
- > Server authentication
- > Biometric / IC Card authentication
- > IP filtering
- > POP before SMTP

Encryption Features

Ensure that data stays secret from prying eyes.

- > SSL / TSL encrypted transmission
- > S / MIME
- > PDF encryption

HDD Protection Features

Defend data stored on bizhub's HDD.

- > HDD password lock
- > HDD data encryption
- > HDD random erase format

Certified Safe

Give your staff the tools to stay in control.

- > Secure print password protection
- > Security log
- > ISO15408 (EAL3) certification (under review)

▷ Flexible Security for Each User

Thanks to biometric and IC card authorisation, ensuring network access security is a manageable task. Users can be identified by their unique finger veins or an IC card that grants access with a single touch.

Authentication type	Password	IC card	Biometric
Ease of use	Mid Users must go through the trouble of entering an ID and password. Administrators must also manually set passwords, making more work for administrators.	High ID / password are unnecessary. Able to use existing employee IC cards. Updating information is also easily manageable.	High By scanning each user's unique finger vein pattern, the Biometric Reader eliminates the need for passwords and ensures accurate identification.
Security level	Mid There is a risk of stolen and leaked passwords.	High Each user must have a card of their own. There is a risk of card loss or unauthorised card lending.	High Biometric authentication is one of the most secure methods, making it very safe.
Additional options	None	WT-504, AU-201, HD-510	WT-504, AU-101, HD-510

▷ Advanced Authentication

With bizhub 751 / 601, administrators can fully customise access privileges to create the security environment that best suits their network. Individuals, workgroups and divisions can be given passwords and then assigned access permissions and usage limits for each function.

▷ HDD Data Protection

All data stored in the bizhub 751 / 601 optional HDD can be encrypted (optional security kit SC-506 required), and the HDD itself can be further protected with a password lock to prevent unauthorised access, even if the HDD is physically removed. When you are ready to dispose of the bizhub 751 / 601, the HDD can be completely erased and overwritten with random data, permanently destroying the contents.



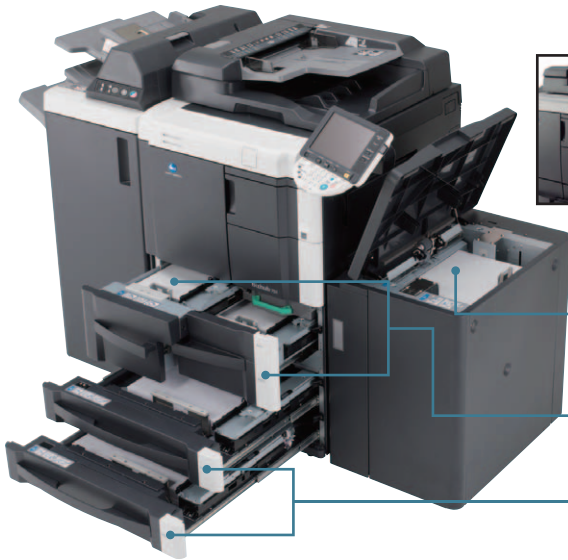
Document Output

The Centre of Office Productivity

As the centrepiece of your office's data flow, the bizhub 751/ bizhub 601 offers an unrivalled combination of high-speed output and exceptional image quality. Meanwhile, simultaneous processing of multiple jobs and a large paper capacity mean less worrying about downtime and more efficiency for every user on the network.

▷ Scanning Speed

The convenient ADF scans single-sided or double-sided documents at up to 75opm, and even enables documents of different sizes to be combined into a single file. The precision of the feeding mechanism and anti-static measures help ensure worry-free scans each and every time.



Multi Bypass Tray
(100 sheets, A3-B6)

Large Capacity Unit LU-406
(4,000 sheets, A4)

A4 Tray x 2
(Left, 1,500 sheets; Right, 1,000 sheets)

Universal Tray (500 sheets, A3-A5)

▷ Diverse Finishing Functions

Folding, stapling and hole punching are essential to producing documents with a high-quality look. The optional finishers for the bizhub 751 and bizhub 601 handle these tasks with ease, while also enabling sorting and grouping. And with the FS-610 attached, you can saddle stitch booklets of up to 80 pages.



▷ Big Paper Capacity for Big Jobs

Two 500-sheet universal trays and a 100-sheet bypass tray are just the beginning. Optional trays boost the paper capacity of the bizhub 751 and bizhub 601 to a maximum of 7,600 sheets - enough to handle even the largest jobs. And to further reduce downtime, paper and toner can be replaced on the fly.

▷ Fast, High-quality Output

Offering speedy output of 75ppm and 60ppm respectively, the bizhub 751 and bizhub 601 equip your office with the tools you need to satisfy the demands of even the most rigorous work environments. Toner can be replaced while printing to reduce downtime. And with copy resolution of 1200dpi equivalent x 600dpi and digital smoothing for 2400dpi equivalent x 600dpi print resolution, speed and quality are at the forefront.



▷ Where bizhub Quality Begins

Konica Minolta's exclusive Simitri polymerised toner uses smaller, more uniform particles than conventional toner, resulting in sharper text lines and finer gradations. Simitri toner also has a lower fixing temperature, enabling faster output, lower energy use, and reduced paper curling.

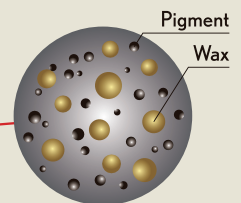


Pulverised toner



Simitri Toner

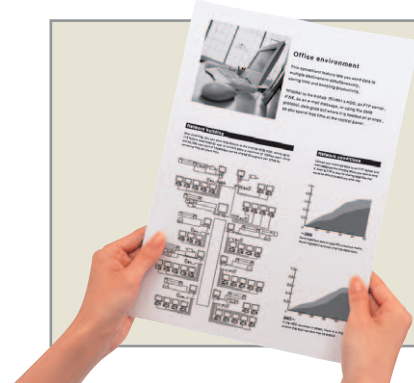
Smaller uniform particles for better print quality



Pigment

Wax

Simitri





At the Centre of Your Business Style

The innovations of the bizhub 751 and bizhub 601 aren't just on the inside. Modern styling and excellent functionality are also hallmarks that make bizhub stand out from the crowd.



▷ Sleek Styling from Any Angle

The layout of every office is different. That's why the bizhub 751 and bizhub 601 was designed to look great from any angle. But looks aren't everything: high-visibility LEDs, contrasting black and white panels and the ability to fully hide cables and connectors ensure maximum ease of use and productivity in any office environment.

▷ Easy-view, Oversized Panel

A large 8,5-inch touch panel with 800 x 480 full colour display lets you navigate to files and preview before printing, making document retrieval simple and intuitive. The panel also features an enlarged text mode and can be set to the height and angle that best suits each user in the office.



▷ Designed for Everybody

Universal access is a must for every product we design, the bizhub 751 and bizhub 601 is no exception. Toner and paper trays can be easily accessed from the front with either an overhand or underhand grip - in fact, all moving parts can be operated with a single hand. Furthermore, documents stand out clearly against the high contrast colour scheme to help reduce forgotten retrieval.



Centred on the Environment

Environmental concerns don't take a back seat to performance in the bizhub 751 and bizhub 601. Both the global environment and your office environment are at centre stage, leading to innovations in resource conservation, responsible use of materials and reduced emissions.

▷ Energy Star



The bizhub 751 and bizhub 601 comply with the International Energy Star Program's stringent guidelines for reduced energy consumption and improved efficiency.

▷ Blue Angel



The bizhub 751 and bizhub 601 are certified for Blue Angel guidelines for efficiency and environmental responsibility.

▷ RoHS Compliance

RoHS (Reduction of Hazardous Substances) rules prohibit certain materials from being used during the production of electrical and electronic components. Konica Minolta will comply with RoHS guidelines before the EU deadline by refraining from the use of lead, mercury, cadmium, hexavalent chromium PBB and PBDE.

▷ WEEE Compliance

The bizhub 751 and bizhub 601 will be fully compliant with WEEE (Waste Electrical and Electronic Equipment) regulations, ensuring that all parts and components are properly disposed of or recycled.

▷ Energy Conservation

The lower fixing temperature of Simitri toner greatly reduces energy consumption compared to conventional fixing. In addition, the Low Power and Sleep modes use significantly less power, resulting in lower energy costs and less waste.

▷ Emissions reduction

Polymerised toner produces fewer emissions than pulverised toner, with a total reduction of up to 40% for NO_x, SO_x and CO₂. In addition, the production of every bizhub device has been optimised to reduce overall emissions.

bizhub

751/601

Specifications

Model name	bizhub 751 / bizhub 601
Type	Console
Copy resolution	1200dpi equivalent x 600dpi
Gradation	256
Memory capacity (Std/Max)	1GB (Internal page memory: 205MB)
Hard disk	60GB (Optional)
Original type	Sheet, Book, 3-D objects
Max. original size	A3 or Ledger, (Max. 314 x 458mm)
Output size	A3-A5 (Tray), A3-B6 (Multiple Bypass)
Image loss	Copy: back-end / within 6mm, others / within 3mm Print: leading-end / within 3mm, side / within 2mm, back-end / within 4mm
Warm-up time	bizhub 751: 5 min. or less bizhub 601: 4.5 min. or less
First copy time	bizhub 751: 2.9sec. or less, bizhub 601: 3.3sec. or less
Copy speed	bizhub 751: 75cpm (A4), 35cpm (A3); bizhub 601: 60cpm (A4), 30cpm (A3)
Magnification	Fixed ratio Enlargement 1:1.154/1.224/1.414/2.000 Reduction 1:0.866/0.816/0.707/0.500
	Zoom 25%-400% (in 0.1% increments)
Paper capacity	Std. 3,600, Max. 7,600
Paper weights	Top Tray, Middle Tray, Bottom Tray: 60-200g/m ² Multi Bypass: 50-200g/m ²
Multiple copy	1-9999 sheets
Duplex	Stackless ADU A3-A5, 60-200g/m ²
Power requirements	AC220-240V 10A (50Hz)
Power consumption	1.5kW or less
Dimensions (W x D x H)	886mm x 856mm x 1,140mm
Weight	Approx. 224kg (main unit + ADF)

Scanning Function Specifications

Size of originals	Max. A3
Scan resolution	200x200dpi, 300x300dpi, 400x400dpi, 600x600dpi
Speed (A4 crosswise)	75opm (600dpi, 300dpi), 65opm (400dpi, 200dpi)
Main functions	Scan to E-Mail, Scan to HDD (Box), Scan to FTP, Scan to PC (SMB), Scan to Web DAV, Scan to USB memory, Network TWAIN
Interface	Ethernet 10BASE-T / 100BASE-TX / 1000BASE-T
Network protocol	Pull Scan: Socket I/F, WSD (Vista) Push Scan: SMTP, FTP, SMB, WebDAV
Operating systems	Windows NT4.0 SP6/2000, SP3/XP/XP64bit/Server2003/Server2003 64bit/Vista or later, MacOS 9.2 or later/X 10.2,3,4/10.4 Intel or later
Data format	TIFF/ PDF, XPS
Scanner driver	Network TWAIN Driver (HDD TWAIN) WSD (Win98SE/Me/NT4.0SP6/2000/XP/Server2003/Vista)

Printer Specifications (Option)

Model	IC-208
Type	Embedded
Print system	Laser exposure
CPU	CeleronM (1.0GHz)
Memory	Shared with main unit
Speed	bizhub 751: 75ppm (A4); bizhub 601: 60ppm (A4)
Hard disk	60GB (Optional)
Print resolution	2400dpi equivalent x 600dpi
PDL	PCL6, PostScript3 Emulation
Network protocol	TCP/IP, IPX/SPX (NDS), SMB (Net BEUI), LPD, IPP1.1, SNMP, HTTP, AppleTalk
Operating systems	Windows NT4.0 SP6/2000, SP3/XP/XP64bit/Server2003/Server2003 64bit/Vista or later, MacOS 9.2 or later/X 10.2,3,4/10.4 Intel or later
Fonts	PCL: 80 fonts, PS: 136 fonts
Interface	Ethernet 10BASE-T / 100BASE-TX / 1000BASE-T, USB1.1 (Standard) /2.0 (Optional)
Weight	Approx. 6.8kg

Internet Fax Function Specifications (Optional HD-510 and IC-208 required)

Transmission protocol	SMTP, POP3
Connection mode	Full-mode
Sending size	Max. A3
Receiving size	Max. A3
Resolution	200x100dpi, 200x200dpi, 400x400dpi, 600x600dpi
Data format	TIFF-S / TIFF-F

IP Address Fax Specifications (Optional HD-510, IC-208 and FK-502 required)

Transmission protocol	TCP/IP, SMTP
Transmission size	Max. A3
Resolution	200x100dpi, 200x200dpi, 400x400dpi, 600x600dpi
Data format	TIFF-F

Fax Function Specifications (Option)

Model	FK-502
Send size	Max. A3
Record size	Max. A3
Transmission standard	Super G3
Line density	8x3.85, 8x7.7, 8x15.4 (reception only), 16x15.4 line/mm, 200x100dpi, 200x200dpi, 400x400dpi, 600x600dpi
Transmission speed	Less than 3 sec. (V.34, JBIG, A4 original)
Modem speed	2.4kbps-33.6kbps
Data compression method	MH/MR/MMR/JBIG
Communication line	Public Phone Line, Fax Communication Line
Scanning speed	2.0 sec (A4 / detailed mode)
Speed dial	2,000 numbers (with HD-510), 1,000 numbers (without HD-510)
Program dial	400 numbers (with HD-510), 200 numbers (without HD-510)
Group dial	100 numbers
Consecutive transmissions	600 locations

Converting paper weight Multiply g/m² weight x 0.636 x 0.939 (1kg = Approx. 1.66g/m²)

System Options

- > Hard Disk HD-510
60GB storage capacity
- > Local Interface Kit EK-703
- > Image Controller IC-208
Enables network printing
- > Fax Kit FK-502
Enables faxing capabilities
- > Security Kit SC-506
Expands security functions
- > Biometrics Authentication Kit AU-101
- > IC Authentication Kit AU-201
- > Staples SK-602
For use with the FS-524
- > Staples MS-10A
For use with the FS-525
- > Staples MS-5C
For use with the FS-610

- > Post Inserter PI-504
Upper tray capacity: 200 sheets (A4-A5)
Lower tray capacity: 200 sheets (A3-A5)
- > Finisher FS-524
Staples up to 50 pages per set
- > Finisher FS-525
Staples up to 100 pages per set
- > Finisher FS-610
Staples up to 50 pages per set / Saddle stitches up to 20 sheets
Centre folds for booklet creation
- > Output Tray OT-505
- > Punch Z-fold Unit ZU-605
Folds A3, B4 sheets
2- or 4-hole selectable
- > Shift Tray SF-602
Holds up to 1,250 sheets
- > Large Capacity Unit LU-405
Holds up to 4,000 sheets of A4 paper
- > Large Capacity Unit LU-406
Holds up to 4,000 sheets of A3 paper

Optional Parts Available with Finishers

- > Punch Kit PK-502 (2 holes)
- > Punch Kit PK-503 (2 holes, includes function to adjust punch position)
- > Punch Kit PK-505 (2-4 holes)

Product appearance, configuration and / or specifications are subject to change without notice.

- bizhub and PageScope are registered trademarks of KONICA MINOLTA BUSINESS TECHNOLOGIES, INC.
- Windows is a registered trademark of Microsoft Corporation.
- Adobe and PostScript are registered trademarks of Adobe Systems, Inc.
- All other brand and product names are registered trademarks or trademarks of their respective companies.
- As an ENERGY STAR Partner, KONICA MINOLTA BUSINESS TECHNOLOGIES, INC. has determined that this product meets the ENERGY STAR guidelines for energy efficiency.
- ENERGY STAR is a registered trademark in the U.S.

KONICA MINOLTA copiers and multi-functional products are designed with the environment in mind.

- Meet ENERGY STAR Guidelines
- Use Recycled Materials
- Toner Recycle Mechanism
- Production at ISO-Certified Factories



Requirements for safe use.

- Please read and follow the instruction manual to ensure safe operation.
- Only operate using appropriate power supply and voltage.
- Connecting the earth wire to an inappropriate place may cause explosion or electric shock. Please connect accordingly (Taiwan and the Philippines only).

KONICA MINOLTA
BUSINESS TECHNOLOGIES, INC.
1-6-1 Marunouchi Chiyoda-ku, Tokyo, Japan
<http://www.biz.konicaminolta.com>



This catalogue was printed using soy ink.